

ProAV projector ceiling mount range TH-PF, TH-PCP, TH-PPA-1825, TH-PPA-2448 & TH-PPE-24

Modular, Interchangeable, Upgradable

The Telehook ProAV projector ceiling mount range is a complete mounting solution that is suitable for a variety of mounting situations. It is designed for use in a large range of professional and home mounting environments and is modular, interchangeable and upgradable. The ProAV range is designed with the needs of public environments and installers in mind; integrating high security features throughout to ensure projector security whilst also maintaining ease of installation via the use of clever time saving and safe installation features.

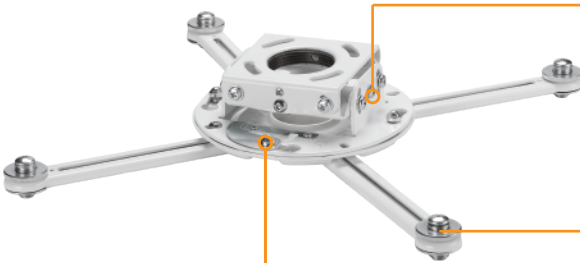


Product key features:

- Uses industry standard 1.5" NPT (National Pipe Thread) interface
- **Maximum supported weight:** 25kgs (55lbs)
- Solid Steel construction
- Security screws at all connection and adjustment points



TH-PF - Projector flush mount



High range of tilt, pitch, roll and yaw adjustment

Universal head supports most projectors

Safety catch to prevent accidental removal during installation

Can be mounted flush to ceiling or to extension poles

TH-PCP Ceiling plate with ceiling cover



All mounting hardware included for masonry and timber stud ceilings

Advanced internal cable management

Includes plastic dress cover for a clean and professional finish

Extension poles



TH-PPA-1825*
18" to 25" pole



TH-PPA-2448*
24" to 48" pole

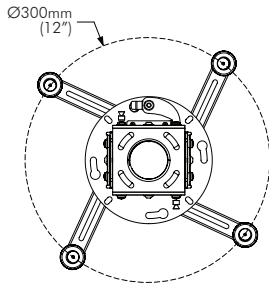


TH-PPA-2448* & TH-PPE-24*
24" to 48" pole with an additional drop length of 24" (TH-PPE-24)

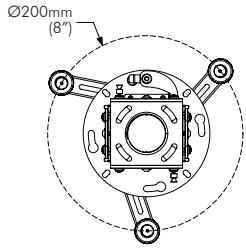
Security screws prevent unauthorised adjustment of pole height

TH-PF Projector mounting pattern

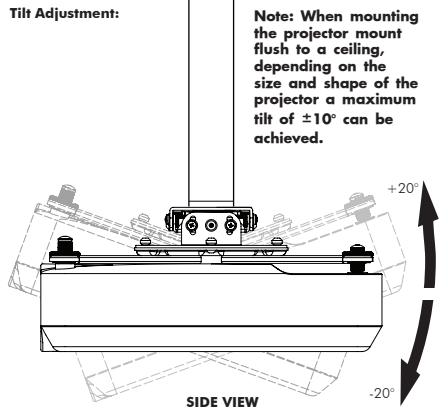
4-LEG MINIMUM DISTANCE:



3-LEG MINIMUM DISTANCE:

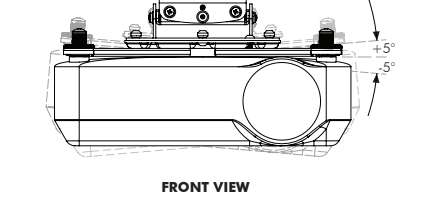


Tilt Adjustment:



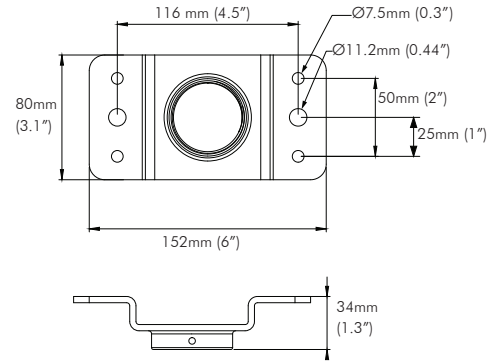
SIDE VIEW

Roll Adjustment:

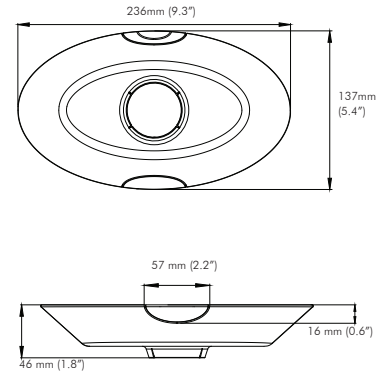


FRONT VIEW

TH-PCP BRACKET DIMENSIONS

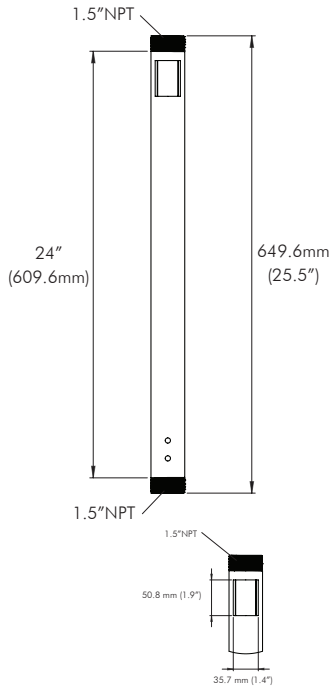


TH-PCP COVER DIMENSIONS

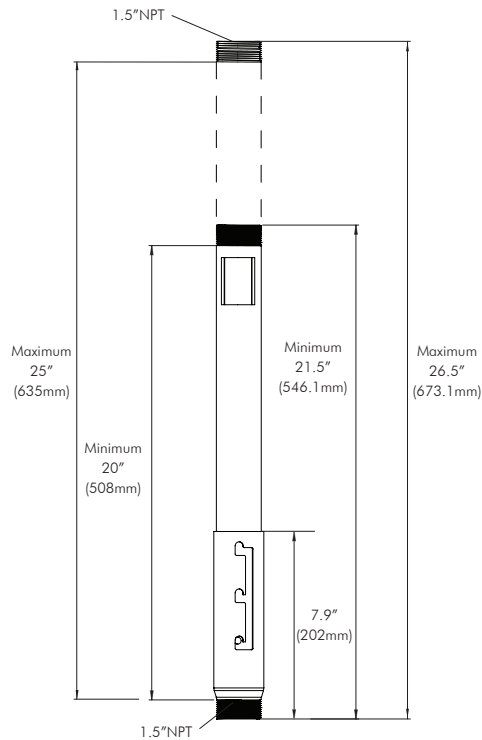


Extension pole drop length

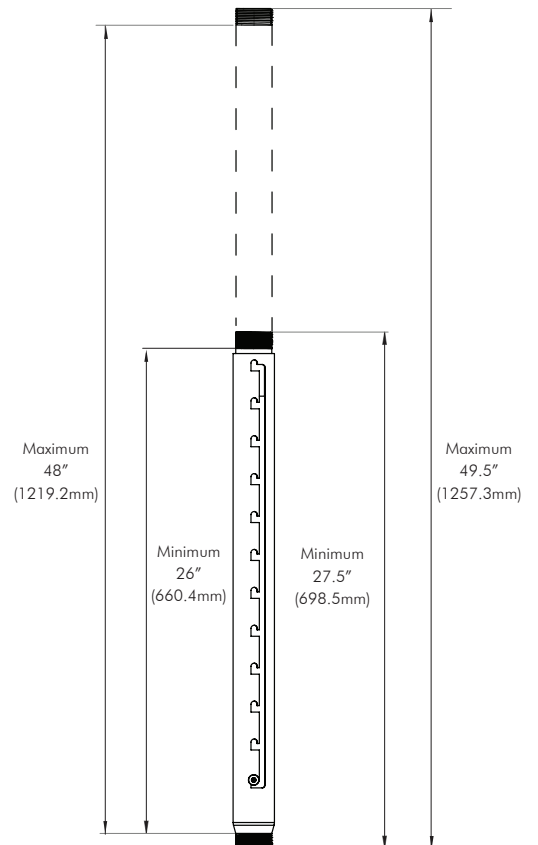
TH-PPE-24



TH-PPA-1825



TH-PPA-2448



Length adjustable in 1" (25.4mm) increments



been made to ensure the information in this brochure was correct as of the date of printing, we reserve the right to change specifications without notice. Please refer to the website for our full range along with the latest details on specifications, compatibility and dealer location. Atdec and Telehook are registered trademarks with all rights reserved. Copyright July 2013.



Atdec Global www.atdec.com.au
Atdec North America www.atdec.com